

# Motorized Retractable Wall Screen

## 4 Inch Housing Design Specifications -

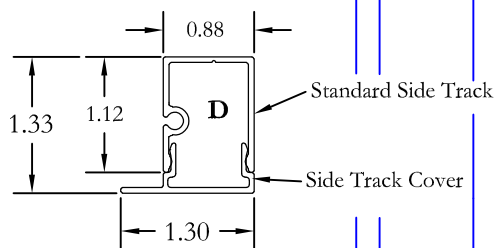
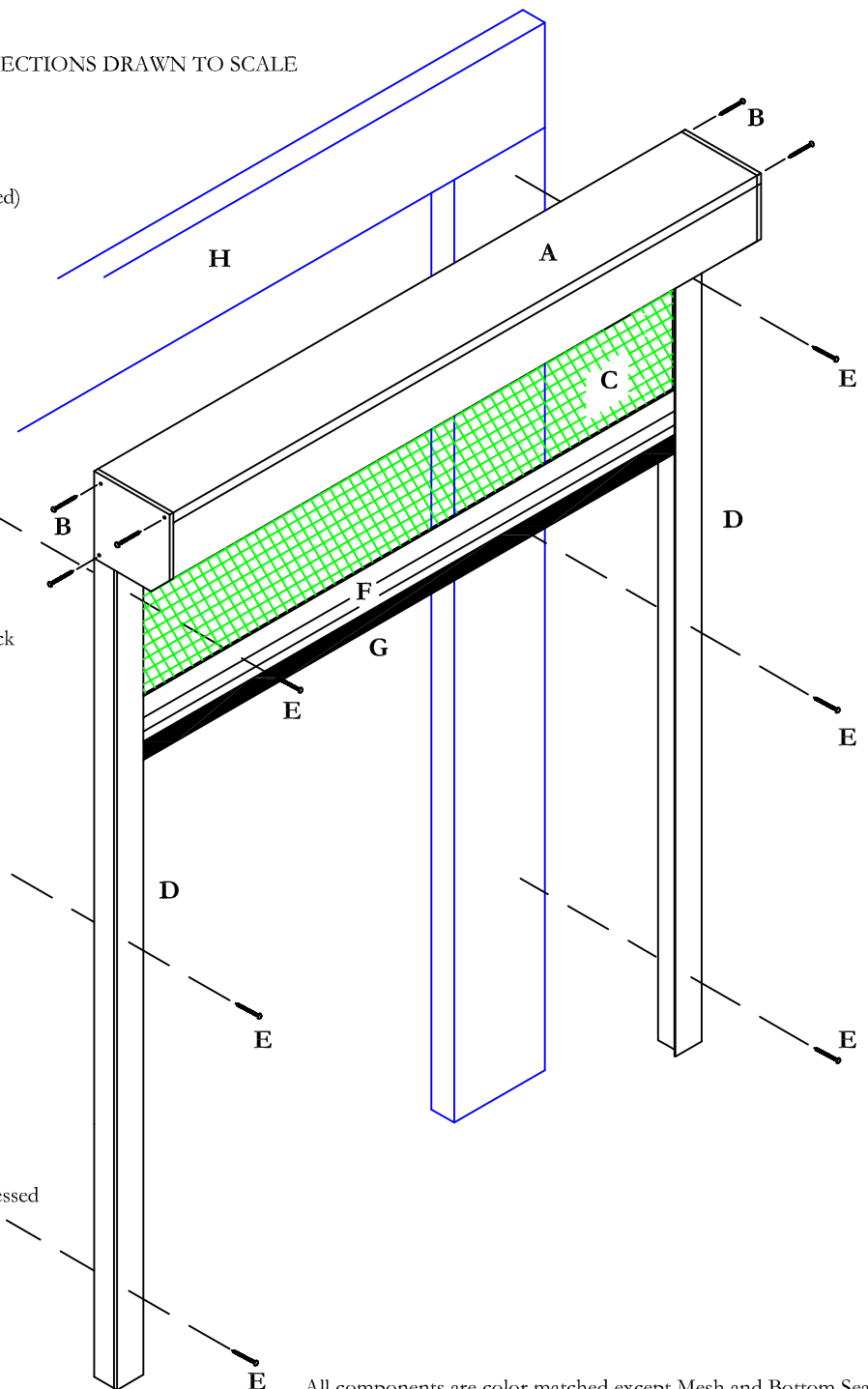
### System With Standard Side Track

(External Assembled View)

FOR ILLUSTRATION PURPOSES - ONLY CROSS SECTIONS DRAWN TO SCALE

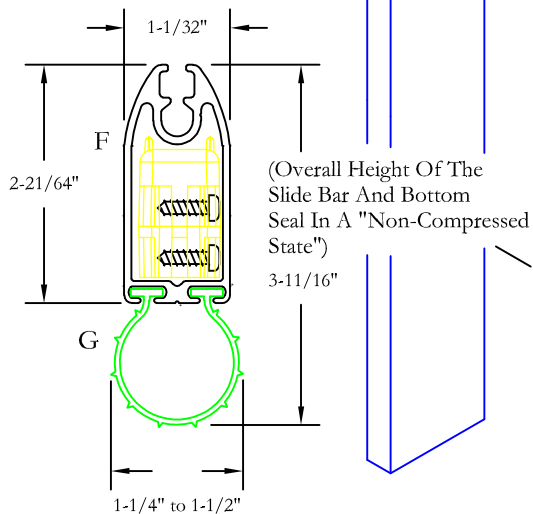
#### Parts Spec

- A Housing Assembly: (4"W x 4"H)
- B #8 x 1" Corrosion Resistant Fastener (Color Matched)  
3 Fasteners per End Cap
- C PVC Coated Fiberglass Mesh  
or other - see Mesh Specifications
- D Standard Side Track c/w Cover (0.88" W x 1.12" D)
- E #8 or #10 Corrosion Resistant Fastener  
Type and length of screws may vary depending on type of mounting surface
- F Slide Bar c/w Probe Assembly
- G Bottom Seal: availability  
Brush Pile - 3/4" (Black Only)  
3" / 4" and 6" Vinyl (Black and Grey)
- H Mounting Surface



**CROSS SECTIONAL VIEW OF THE SMALL EXECUTIVE STANDARD SIDE TRACK**

Scale: 1 : 1



(Based On Compression)  
**CROSS SECTIONAL VIEW OF THE SLIDE BAR AND OPTIONAL 4" BOTTOM SEAL**

Scale: 1 : 1

Note:  
For Bottom Seal options see Parts Spec Item G.

All components are color matched except Mesh and Bottom Seal.

2. Title change		03/06/18
1. Change Slide Bar and Probe to Universal Version.		
Discription of Revisions		
Creator:	Date:	Revision:
NDR	09/05/2013	Rev: 02
Drawing Title:		
<b>PSEXECPRODDSIGNSPEC09(A)</b>		
© 2013 Phantom Mfg. Intl Ltd.		Scale:
		As Shown