

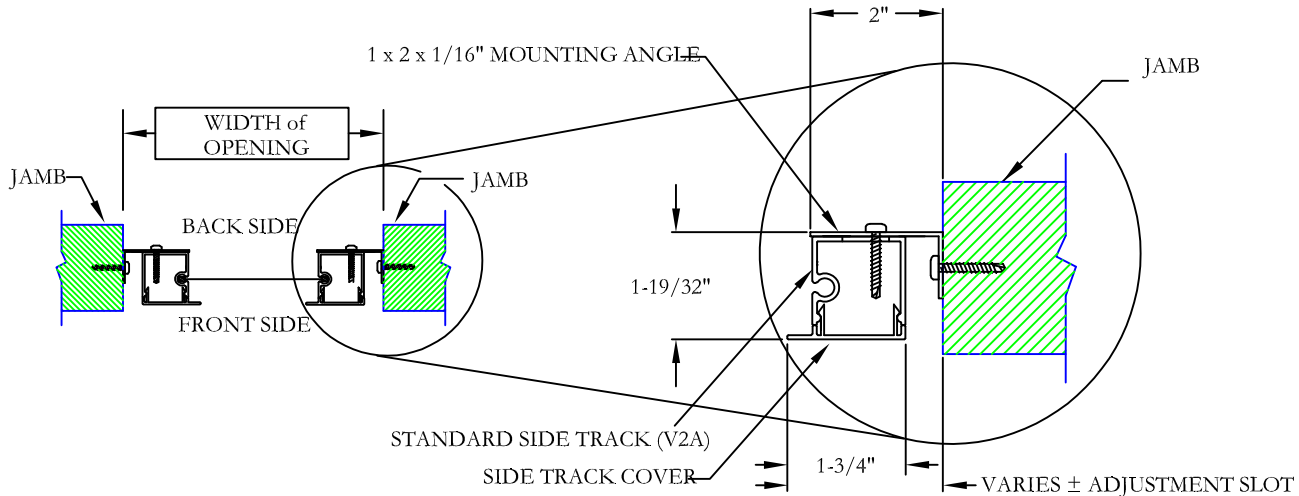
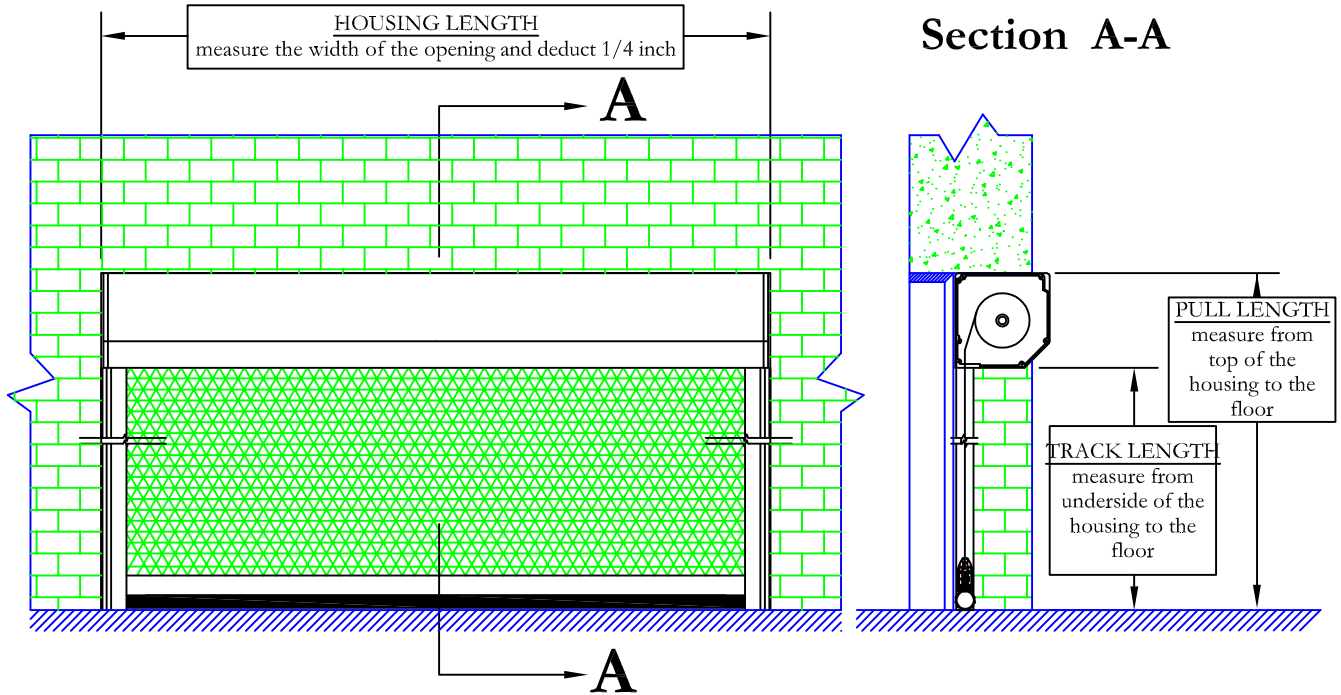
Motorized Retractable Wall Screen

"Inside Jamb" Installation

System With Standard Side Track (V2A)

Inside Jamb Above Header - (IJUH)

FOR ILLUSTRATION PURPOSES ONLY - NOT DRAWN TO SCALE



All dimensions are given in inches.

Creator: NDR	Date: 10/04/2004	Revision: Rev: 01
Drawing Title: PSEXECINSTALLIJUH01(C)		
© 2010 Phantom Mfg. Intl Ltd.		Scale: NTS

1. Title change	03/01/18
Description of Revision	