

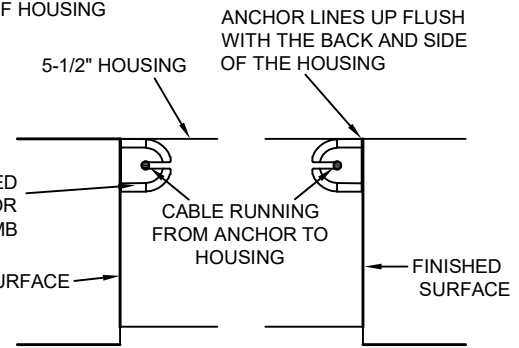
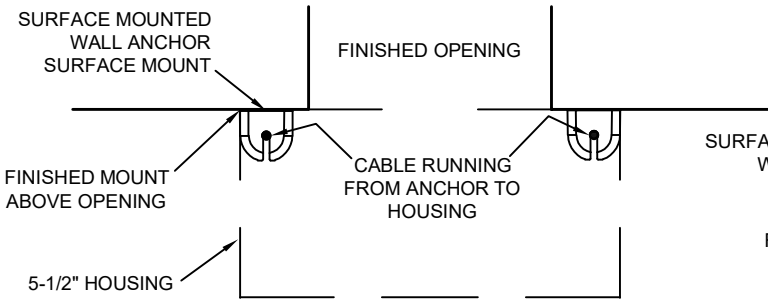
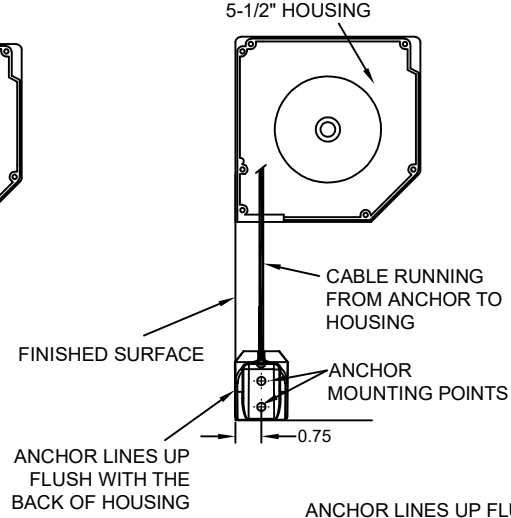
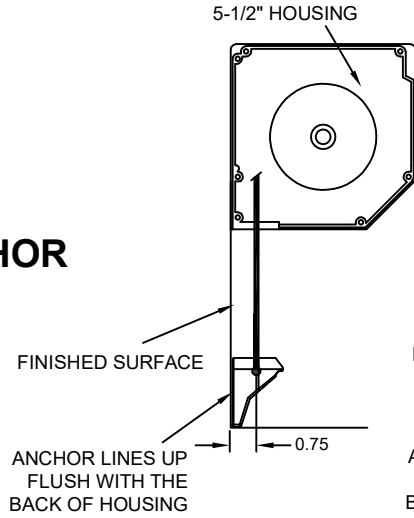
SIDE VIEW WALL MOUNT SURFACE MOUNT

SIDE VIEW WALL MOUNT INSIDE JAMB



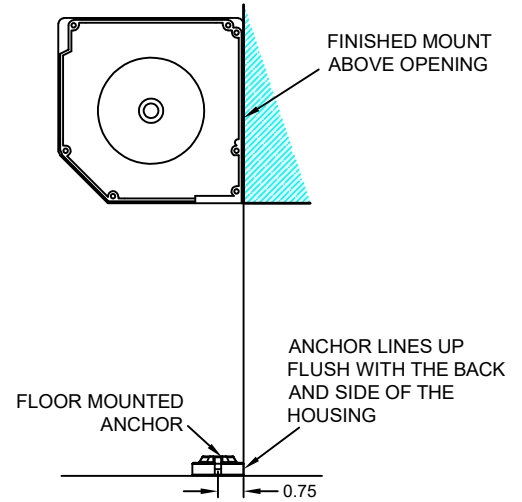
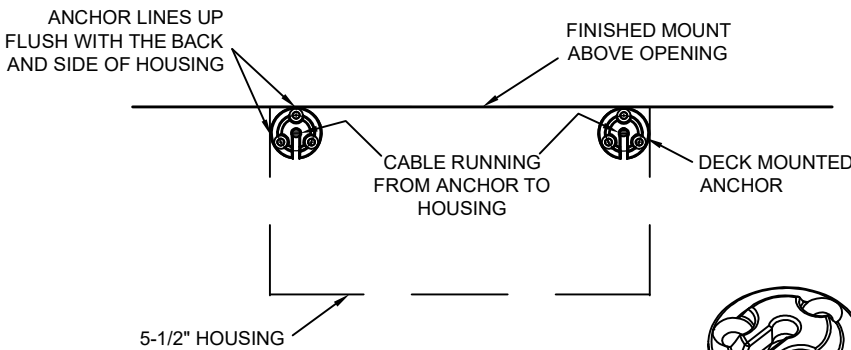
WALL MOUNT ANCHOR

OVERALL DIMENSIONS
2" HIGH, 1.5" WIDE, 1.5" DEEP



TOP VIEW WALL MOUNT SURFACE MOUNT

TOP VIEW WALL MOUNT INSIDE JAMB



TOP VIEW

SIDE VIEW

FLOOR MOUNT ANCHOR

OVERALL DIMENSIONS
1.5" DIAMETER, 0.5" HIGH

REVISION	
DRAWING TITLE	MOTORIZED SCREEN - CABLE GUIDED CABLE ANCHOR PLACEMENT
DRAWING NO.	PSCBLEGUIDEANCHORPLACEMENT01
SHEET SIZE	N/A
WEIGHT:	N/A
DATE	03/11/2019
SCALE:	1 : 1

PROPRIETARY AND CONFIDENTIAL
THE INFORMATION CONTAINED IN THIS DRAWING IS THE SOLE PROPERTY OF PHANTOM SCREENS. REPRODUCTION IN PART OR AS A WHOLE WITHOUT THE WRITTEN PERMISSION OF PHANTOM SCREENS IS PROHIBITED.



UNLESS OTHERWISE SPECIFIED
DIMENSIONS: IN INCHES
ACCURACY: 0.000 INCHES

STANDARD TOLERANCES APPLY UNLESS OTHERWISE SPECIFIED
INTERPRET GEOMETRIC TOLERANCING PER ASME Y14.E

MATERIAL
N/A

DRAWN BY	N.D.R.	02/13/2019
CHECK BY	N.Kiers	03/11/2019
ENG. APPR.		
MFG. APPR.	N.Foster	03/11/2019
Q.A.	N/A	