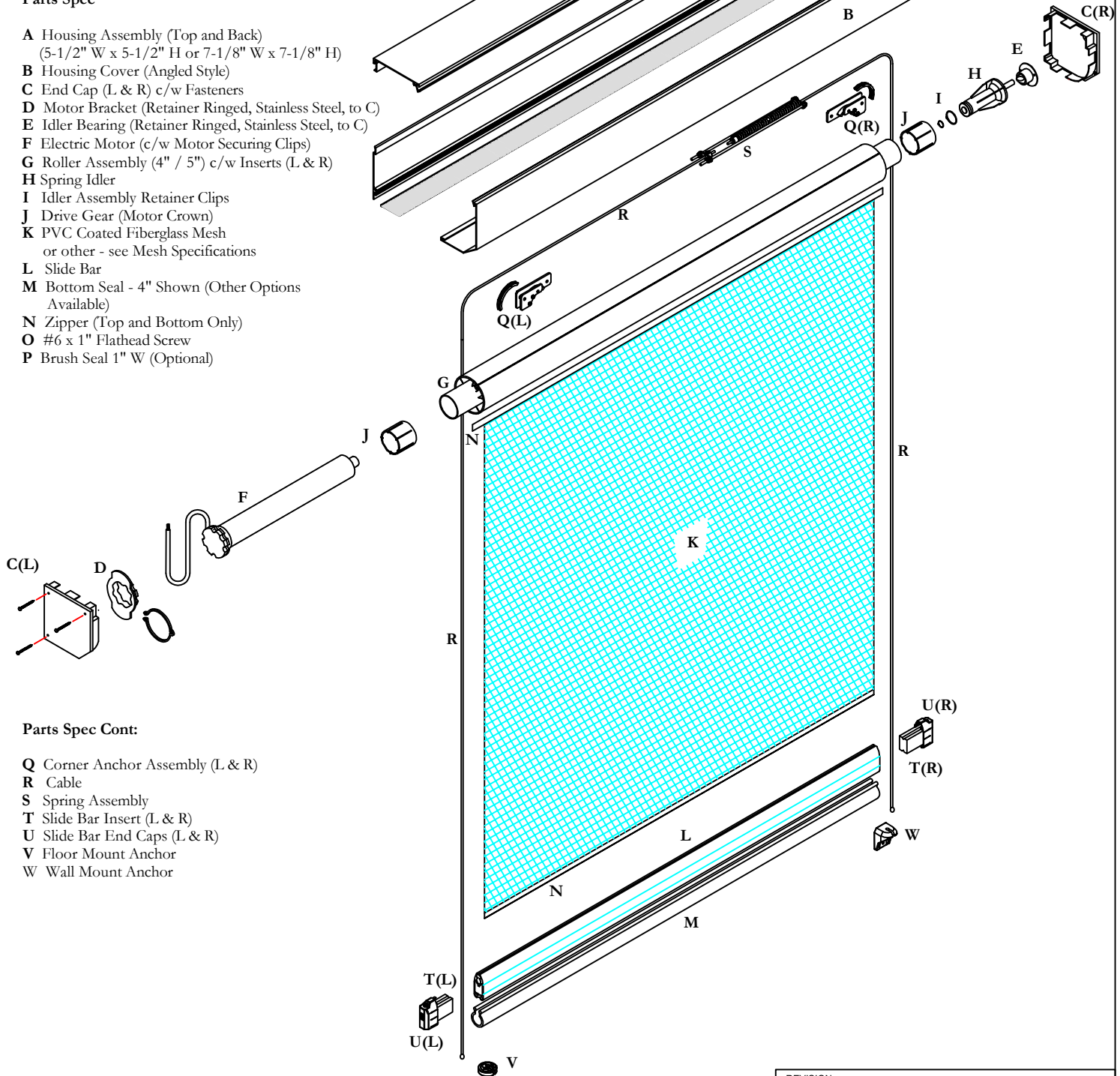


# MOTORIZED SCREEN - CABLE GUIDED DESIGN SPECIFICATION (Exploded View)

FOR ILLUSTRATION PURPOSES - NOT DRAWN TO SCALE

## Parts Spec

- A Housing Assembly (Top and Back)  
(5-1/2" W x 5-1/2" H or 7-1/8" W x 7-1/8" H)
- B Housing Cover (Angled Style)
- C End Cap (L & R) c/w Fasteners
- D Motor Bracket (Retainer Ringed, Stainless Steel, to C)
- E Idler Bearing (Retainer Ringed, Stainless Steel, to C)
- F Electric Motor (c/w Motor Securing Clips)
- G Roller Assembly (4" / 5") c/w Inserts (L & R)
- H Spring Idler
- I Idler Assembly Retainer Clips
- J Drive Gear (Motor Crown)
- K PVC Coated Fiberglass Mesh  
or other - see Mesh Specifications
- L Slide Bar
- M Bottom Seal - 4" Shown (Other Options Available)
- N Zipper (Top and Bottom Only)
- O #6 x 1" Flathead Screw
- P Brush Seal 1" W (Optional)



## Parts Spec Cont:

- Q Corner Anchor Assembly (L & R)
- R Cable
- S Spring Assembly
- T Slide Bar Insert (L & R)
- U Slide Bar End Caps (L & R)
- V Floor Mount Anchor
- W Wall Mount Anchor

REVISION					
DRAWING TITLE			DRAWING NO.		
MOTORIZED SCREEN - CABLE GUIDED			PSMOTORIZEDSCREENCABLEGUIDED-		
DESIGN SPECIFICATION - EXPLODED VIEW			EXPLODED VIEW 01		
SHEET SIZE		DATE		SCALE:	
N/A		03/12/2019		N.T.S.	
WEIGHT:		DATE		SCALE:	
N/A		03/12/2019		N.T.S.	

PROPRIETARY AND CONFIDENTIAL  
THE INFORMATION CONTAINED IN THIS DRAWING IS THE SOLE  
PROPERTY OF PHANTOM SCREENS. REPRODUCTION IN PART  
OR AS A WHOLE WITHOUT THE WRITTEN PERMISSION OF  
PHANTOM SCREENS IS PROHIBITED.



UNLESS OTHERWISE SPECIFIED  
DIMENSIONS: IN INCHES  
ACCURACY: 0.000 INCHES

STANDARD TOLERANCES APPLY  
UNLESS OTHERWISE SPECIFIED  
INTERPRET GEOMETRIC  
TOLERANCING PER ASME Y14.E

DRAWN BY N.D.R. 03/12/2019  
CHECK BY  
ENG. APPR.  
MFG. APPR.  
Q.A.